



PERFECT SUPPORT SOLUTIONS

PIPE CLAMPS  
&  
FASTENERS



PRODUCTS OF :  
***CK ENGINEERING***

ENGINEERED TO FLOW



# PROFILE

CTECH is Specialized Manufacturers and Suppliers of Pipe Clamps ,Fasteners A Sharp sense of foresightedness, a dedicated workforce and the use of latest infra structural facilities have enabled CTECH to earn a reputed goodwill and trust in the market in short span of time High on every parameters of precision, weight, perfection and accuracy, our range of pipe clamps & fasteners is manufactured to be in complete accordance with national and international quality standards. We have been Engaged in the relentless pursuit of delivering excellence in terms of quality competitive price and timely delivery. CTECH clamps and fasteners can be used in homes, industry like chemicals, dairy, food processing units fire fighting systems, Plumbing Systems, and almost Everywhere



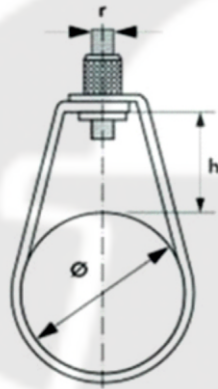
## Sprinkler Hanger



CTECH Sprinkler Hanger use for Sprinkler System Installation and all general purpose and fire protection lines. The specially design shape allows a lot of freedom in adjusting heights and the angle of support.

### Standard Material

Carbon Steel - Electro Galvanized post Manufacture



Model No.	Pipe Size in MM	Pipe Size in Inch	Rod Size in MM	Width X Thickness
CKESG-0020	15MM	½"	8/10	25 X 1.6
CKESG-0021	20MM	¾"	8/10	25 X 1.6
CKESG-0022	25MM	1"	8/10	25 X 1.6
CKESG-0023	32MM	1 ¼"	8/10	25 X 1.6
CKESG-0024	40MM	1 ½"	8/10	25 X 1.6
CKESG-0025	50MM	2"	8/10	25 X 2.0
CKESG-0026	65MM	2 ½"	10/12	25 X 2.0
CKESG-0027	80MM	3"	10/12	25 X 2.0
CKESG-0028	100MM	4"	10/12	25 X 2.0
CKESG-0029	150MM	6"	10/12	25 X 2.5
CKESG-0030	200MM	8"	12/16	30 X 2.5
CKESG-0031	250MM	10"	12/16	40 X 3.0

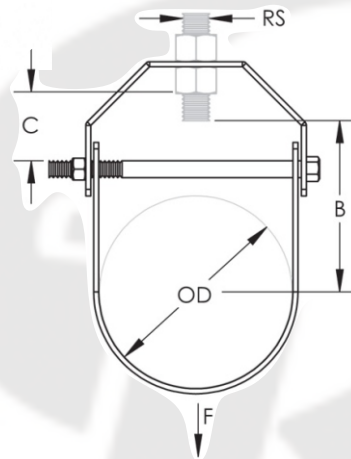
## Clevis Hanger



CTECH Clevis Hanger are two piece hanger Design to lend support to all size of pipes with very high permissible loads. Designed for suspending stationary level adjustment lines. Design of hanger allows for vertical adjustment. Designed for the fire fighting and chilled water pipe work.

### Standard Material :

Carbon Steel –Electro Galvanized post manufacturing



Model No	Pipe Size in MM	Pipe size in Inch	Rod Size in MM	Bolt Size	Width X Thickness
CKECH-0032	25MM	1"	8/10	M8	25 X 2.0
CKECH-0033	32MM	1 ¼"	8/10	M8	25 X 2.0
CKECH-0034	40MM	1 ½"	8/10	M8	25 X 2.0
CKECH-0035	50MM	2"	8/10	M8	25 X 2.0
CKECH-0036	65MM	2 ½"	10/12	M10	25 X 2.5
CKECH-0037	80MM	3"	10/12	M10	25 X 2.5
CKECH-0038	100MM	4"	10/12	M10	30 X 2.5
CKECH-0039	150MM	6"	12/16	M12	30 X 3.0
CKECH-0040	200MM	8"	12/16	M12	40 X 3.0

## Rubber Split Clamps



EPDM lined split-ring type pipe clamps with integral fixing nuts. Suitable for ceiling suspension or vertical wall mounting of piping. Designed with a number of features which enhance product performance and reliability.

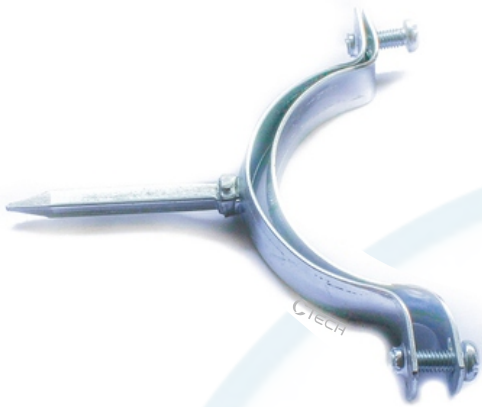
Both halves of the clamp are ribbed, for greater strength. Long thread engagement - All CTECH EFRLC series split clamps are designed with extended thread lengths on the lips of the upper half. This ensures safer installation than clamps offered by others, that have barely one thread engagement also prevents loosening of the clamp's grip over a period of time due the minor vibration that is generally present in piping systems and causes thread wear.

**Material** – Steel, EPDM

**Finish:** - Electro Galvanized Post manufacture

Model No	Pipe Size in MM	Pipe size in Inch	Hold on Nut in MM	Width X Thickness
CKERSC-0050	20 – 25	½'	8/10	20 X 2.0
CKERSC-0051	26 – 30	¾'	8/10	20X 2.0
CKERSC-0052	32 – 36	1'	8/10	20 X 2.0
CKERSC-0053	38 – 44	1 ¼'	8/10	20 X 2.0
CKERSC-0054	47 – 51	1 ½'	8/10	20 X 2.0
CKERSC-0055	60 – 64	2'	8/10	20 X 2.0
CKERSC-0056	74 – 80	2 ½'	8/10	20 X 2.0
CKERSC-0057	87 – 92	3'	8/10	20 X 2.0
CKERSC-0058	102 – 118	4'	8/10	20 X 2.5
CKERSC-0059	138 – 142	5'	8/10	20 X 2.5
CKERSC-0060	160 – 167	6'	8/10	25 X 2.5
CKERSC-0061	215 – 220	8'	12	25 X 2.5
CKERSC-0062	263 – 270	10'	12	25 X 2.5

## Nail Clamp( Bat Holder Clamp)



CTECH Nail Clamp have been designed keeping in view the concrete wall where this clamps make a solid grip .open the clamp place pipe in a such a way that the rod align with clamp. Close clamp and tighten the nut bolt.

### Standard Material

Carbon Steel - Electro Galvanized post Manufacture

Model No	Pipe Size in MM	Pipe size in Inch	Width X Thickness
CKENC-0070	50	2"	20 X 2
CKENC-0071	65	2 ½ "	20 X 2
CKENC-0072	80	3"	20 X 2
CKENC-0073	100	4"	20 X 2
CKENC-0074	150	6"	25 X 2

## Hammer pipe Hook



CTECH hammer pipe Hook is a convenient Support Clamp for faster and easy installation. Hammer pipe Hook Specially useful in giving support to internal lines. The Hook are easy to stuck in the wall without any scope of coming loose in the future. They provide Strong yet uncomplicated support to pipes of all size and kinds they also provide support to the cable and make way for an incident free future for all

### Standard Material

Carbon Steel –Electro Galvanized post manufacturing and MS

Model No	Pipe Size in MM	Pipe size in Inch	THICKNESS IN MM
CKEHPH - 0001	15	½ "	4
CKEHPH - 0002	20	¾ "	6

## U Bolts



Usefull for fixing lines very fast on any type slotted base and can accommodate variation in diameter because of extra threaded portion. A full range of intermediate sizes is available to match the ODs of CTECH providing a simple and effective support solution for insulated pipe.

### Standard Material

Carbon Steel –Electro Galvanized post manufacturing

Supplied with two nut and two washer

Model No	Pipe Size in MM	Pipe size in Inch	Width X Thickness
CKEUB - 0080	15	½ "	M6
CKE UB- 0081	20	¾ "	M6
CKEUB - 0082	25	1"	M6
CKEUB - 0083	32	1 ¼ "	M6
CKEUB - 0084	40	1 ½ "	M6
CKEUB - 0085	50	2"	M6
CKEUB - 0086	65	2 ½ "	M8
CKEUB - 0087	82	3"	M8
CKEUB - 0088	100	4"	M8
CKEUB - 0089	150	6"	M10
CKEUB - 0090	200	8"	M10
CKEUB - 0091	250	10"	M12
CKEUB - 0092	300	12"	M12

## U Clamps



CTECH U Clamps have been design to give fast and convenient installation a completely new meaning . Designed for clamping plain or insulated pipe to structural channel supports such as trapeze hangers, floor stands and wall brackets. Provided with slotted holes for convenient installation.

### Standard Material

Carbon Steel –Electro Galvanized post manufacturing

Model No	Pipe Size in MM	Pipe size in Inch	Hole Size	Width X Thickness
CKEUC - 0101	15	½ "	M6	25 X 1
CKEUC– 0102	20	¾ "	M6	25 X 1
CKEUC - 0103	25	1"	M6	25 X 1
CKEUC - 0104	32	1 ¼ "	M6	25 X 1
CKEUC - 0105	40	1 ½ "	M6	25 X 1.6
CKEUC – 0106	50	2"	M6	25X 1.6
CKEUC - 0107	65	2 ½ "	M6	25X 1.6
CKEUC - 0108	82	3"	M8	25 X 1.6
CKEUC – 0109	100	4"	M8	25 X 1.6
CKEUC – 0110	150	6"	M10	30 X 2.5
CKEUC – 0111	200	8"	M10	30 X 2.5
CKEUC – 0112	250	10"	M12	35 X 2.5
CKEUC- 0113	300	12"	M12	35 X 2.5



## CI Collar Clamps



CTECH Collar Clamps Serve their purpose well in Support to C.I Pipes yet they are as much as useful when they applied in other pipe support. The Collar Clamp Give You the long lasting and tight support to C I pipes

CTECH Collar Clamps keeps a Fair Distance between the pipe and the wall which facilitates future repair ad in maintaining a clean and blackening poof wall

### Standard Material

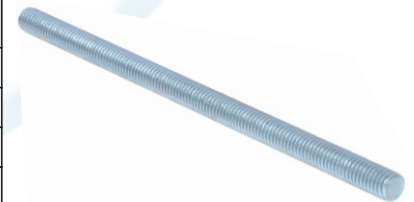
Carbon Steel –Electro Galvanized post manufacturing

Model No	Pipe Size in MM	Pipe size in Inch	Hole Size	Width X Thickness
CKECC - 0115	75	2.5"	M10	25 x 2
CKECC - 0116	110	3"	M10	25 x 2
CKECC - 0117	140	4"	M10	25 x 2
CKECC - 0118	185	6"	M12	25 x 2

## Threaded Rod

Threaded rod also known as a stud ,is a relatively long rod that is threaded on both ends ,the threaded may extended along the complete length of the rod. CTECH threaded Rods are designed to be used tension.

Model No.	Thickness /Size-mm	Length/Mtr
CKETR-0280	M6	2
CKETR-0281	M8	2
CKETR-0282	M10	2
CKETR-0283	M12	2
CKETR-0284	M16	2



## Jointer Nut



Model No.	Thickness /Size-mm
CKEJN-0260	M6
CKEJN-0261	M8
CKEJN-0262	M10
CKEJN-0263	M12
CKEJN-0264	M16

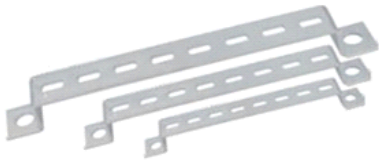
## G I Strip



Slotted Strip have multiple utility application for installing providing item. Useful for Joining two Ends of any type of Slotted base without overlapping such as angle etc .

Model No	Width X thickness	Hole Size	Thickness in mm
CKEGIS - 0200	25 X 3	8 X 15	200
CKEGIS - 0201	25 X 3	8 X 15	300
CKEGIS - 0202	25 X 3	8 X 15	400
CKEGIS - 0203	25 X 3	8 X 15	500

## Slotted Base



Slotted Base are useful in multiple pipeline, cables of different sizes, useful for maintaining level to lay multiple liner whether horizontal, vertical, roof hanging or grounded by accommodating and checking curve formation easy in installation, maintenance and cleaning by comfortable approach of each lines from back side.

Model No	Width X thickness	Hole Size	Thickness in mm
CKESB - 0205	25 X 3	8 X 15	200
CKESB - 0206	25 X 3	8 X 15	300
CKESB - 0207	25 X 3	8 X 15	400
CKESB - 0208	25 X 3	8 X 15	500

# Fasteners

Fasteners serve a define purpose in the construction and installation. They provide the holding strength for anything which needs to be put in a certain place for all the time. CTECh fasteners are made after calculated engineering details taken into account and the chances of error have been minimized in these fasteners and bolts. The fasteners also come handy Where the installation of heavy appliances is concerned.

## Nut Bolt & Washer



Model No.	Thickness /Size-mm
CKENBW-0250	M6
CKENBW-0251	M8
CKENBW-0252	M10
CKENBW-0253	M12
CKENBW-0254	M16

## Bullet Fasteners



Model No.	Thickness /Size-mm
CKENBL-0260	6 X 25
CKENBL-0261	8 X 30
CKENBL-0262	10 X 40
CKENBL-0263	12 X 50

## Pin Type Fasteners



Model No.	Thickness /Size-mm
CKEPIN-0260	M6
CKEPIN-0261	M8
CKEPIN-0262	M10
CKEPIN-0263	M12
CKEPIN-0264	M16

## Bolt Fasteners



Model No.	Thickness /Size-mm
CKENBT-0270	M6
CKENBT-0271	M8
CKENBT-0272	M10
CKENBT-0273	M12

The logo for CTECH features a stylized blue 'C' with a white inner curve, followed by the word 'TECH' in a bold, blue, sans-serif font. The background of the entire page is a light blue gradient with a large, faint watermark of the 'CK' logo in the center. In the top left corner, there is a close-up image of a red electrical insulator with a metal bracket.

# CTECH

PERFECT SUPPORT SOLUTIONS

FOLLOW US ON :



## M/S C K ENGINEERING

**91, Block-D1, Sector-16, Rohini, Delhi-110085**

**E-mail : ckengineering9311@gmail.com**

**Ph. : 9811339875, 9958081788,  9654341564**

